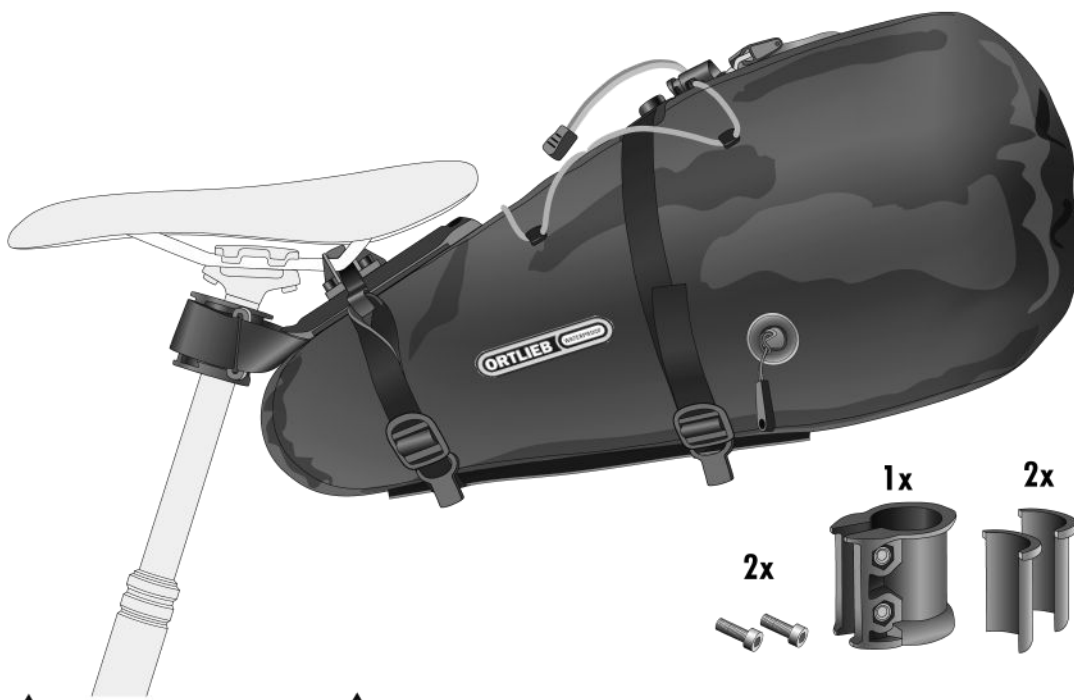


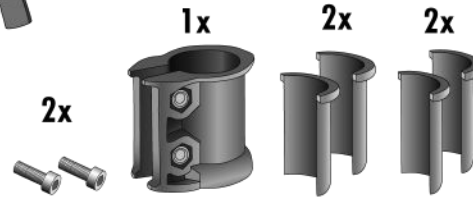
SEAT-PACK QR



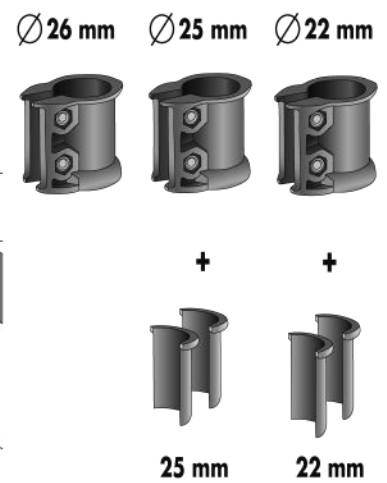
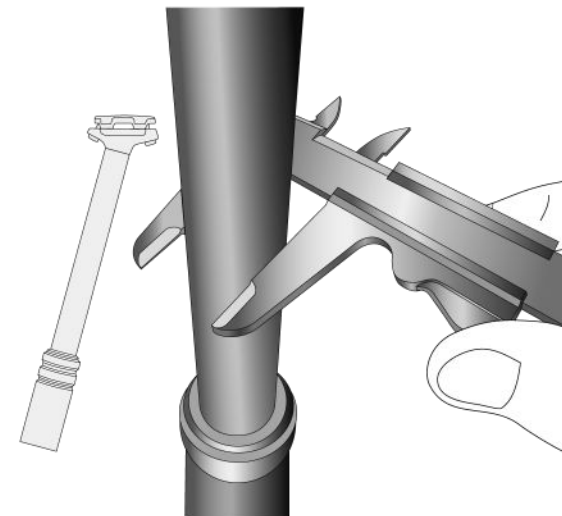
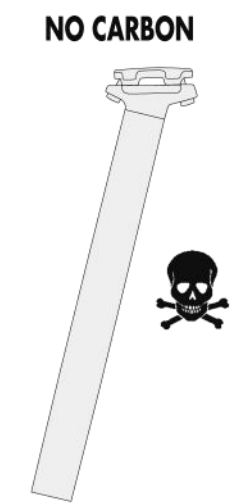
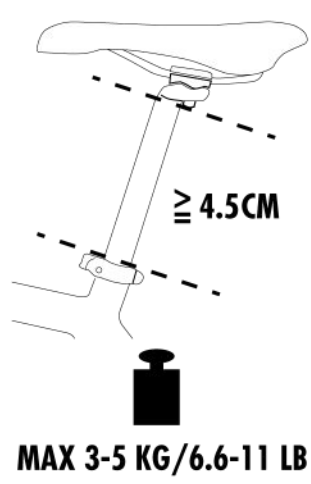
- DE MONTAGEANLEITUNG
- GB ASSEMBLY INSTRUCTIONS
- FR INSTRUCTIONS DE MONTAGE
- IT ISTRUZIONI DI MONTAGGIO
- NL MONTAGE HANDLEIDING
- DK MONTERINGSVEJLEDNING
- ES INSTRUCCIONES DE MONTAJE
- SE MONTERINGSANVISNING
- NO MONTERINGSANVISNING
- FI ASENNUSOHJEET
- PL INSTRUKCJA MONTAZU
- JP 装着方法



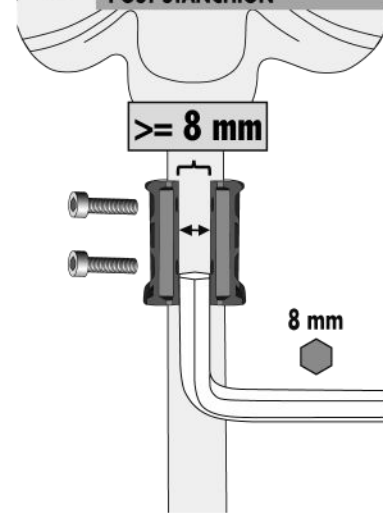
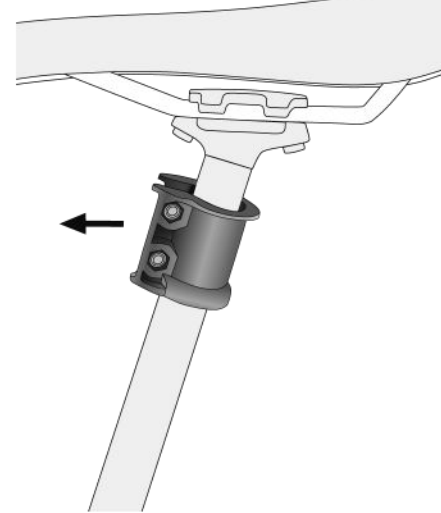
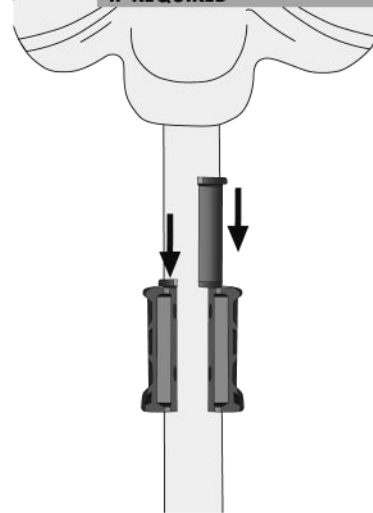
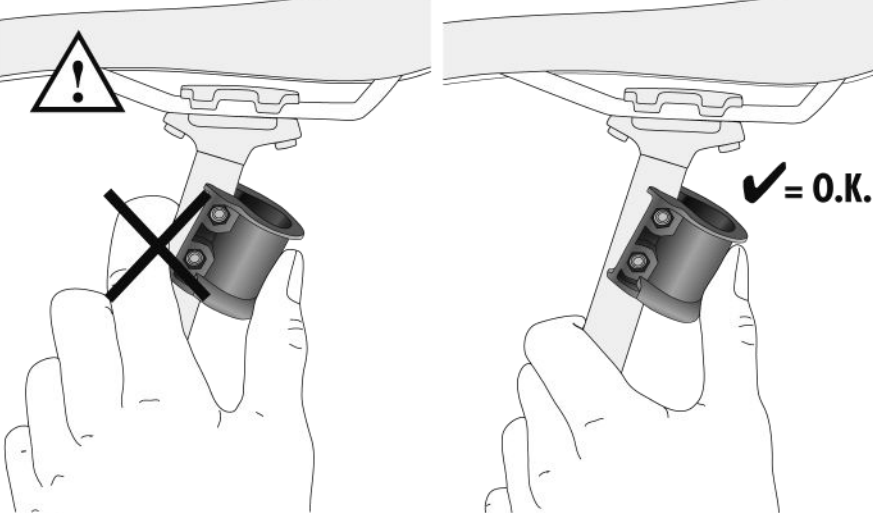
VIDEO



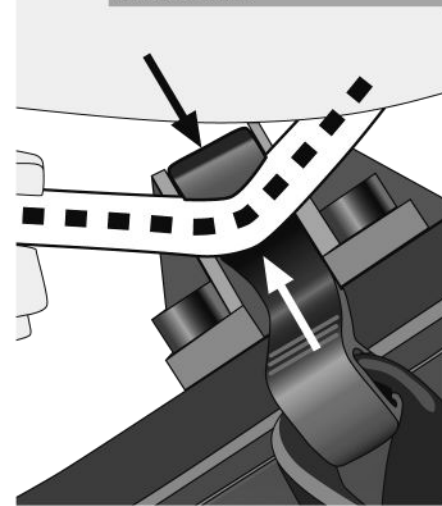
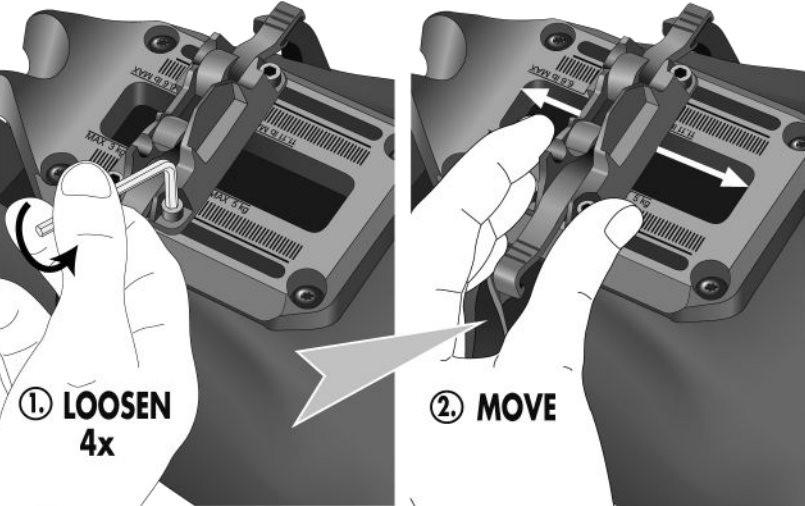
! WITHOUT DROPPER POST **1.1** ONLY FOR DROPPER POST (1.1 - 1.5)



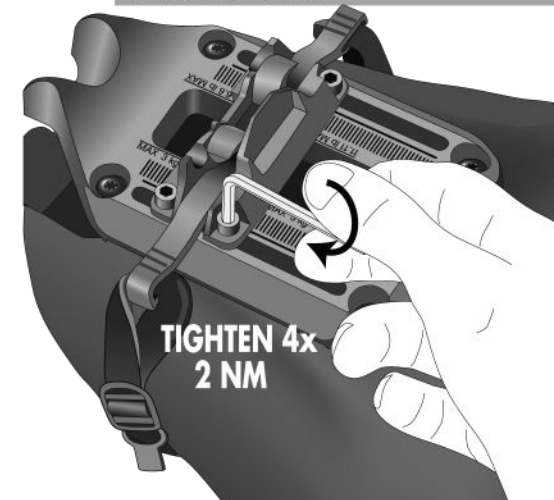
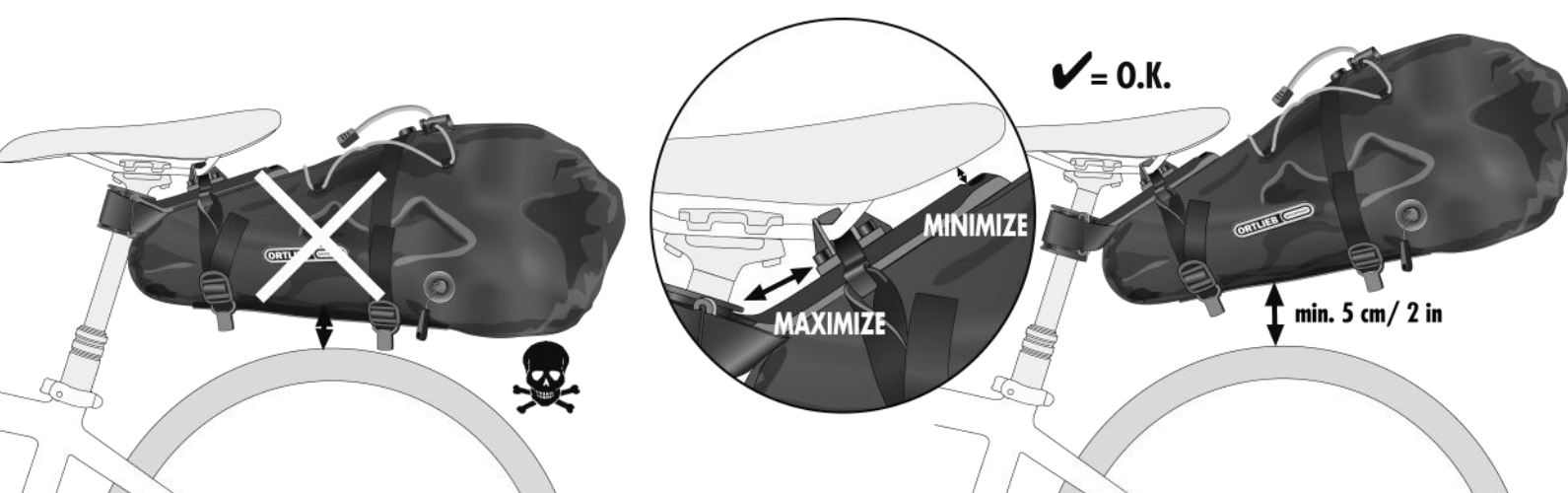
1.2 PINCH POINT **1.3** INSTALL SPACER, IF REQUIRED **1.4** ALIGN WITH DROPPER POST **1.5** TIGHTEN CLAMP TO DROPPER POST STANCHION



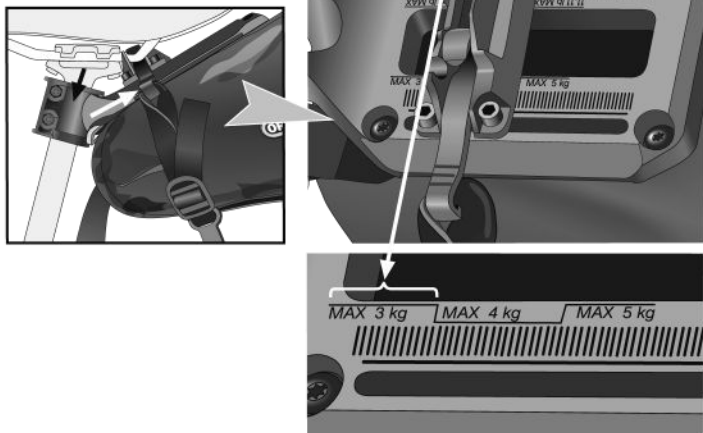
2.1 LOOSEN SCREWS - ADJUST CLAMP **2.2** ADJUST WEBBING TO LONGEST POSITION **2.3** PRESS ON TO SADDLE RAILS **2.4** HOOK ONTO BEND OF SADDLE RAILS



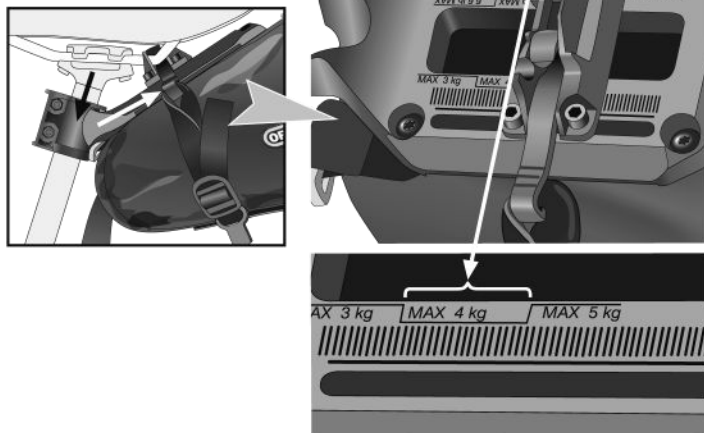
2.5 ADJUST MOUNT TO OPTIMAL POSITION **2.6** CAREFULLY REMOVE BAG AND TIGHTEN MOUNTING SCREWS



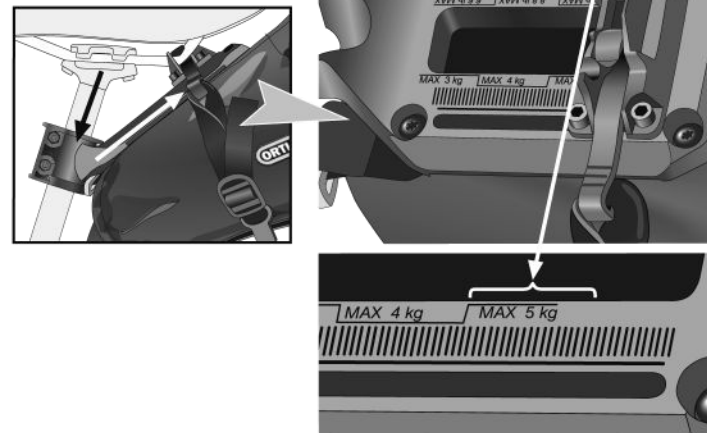
MAX. LOAD 3 KG



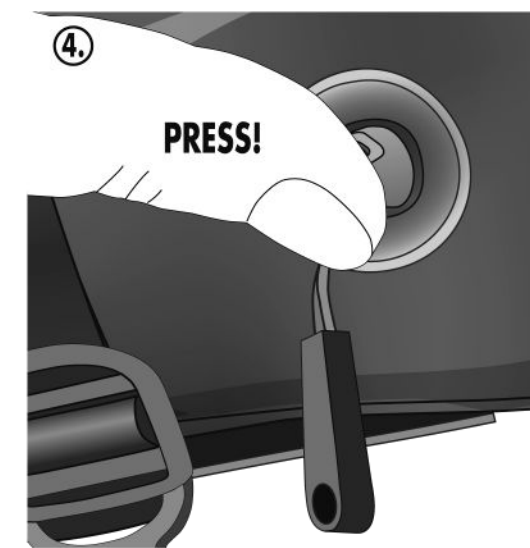
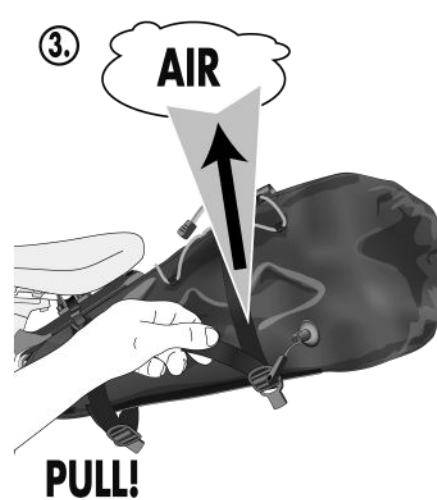
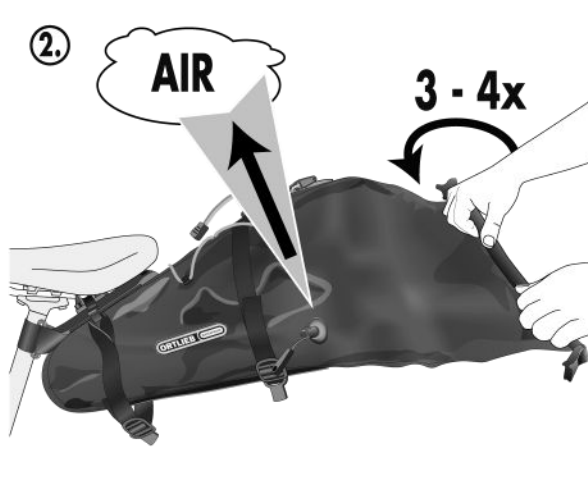
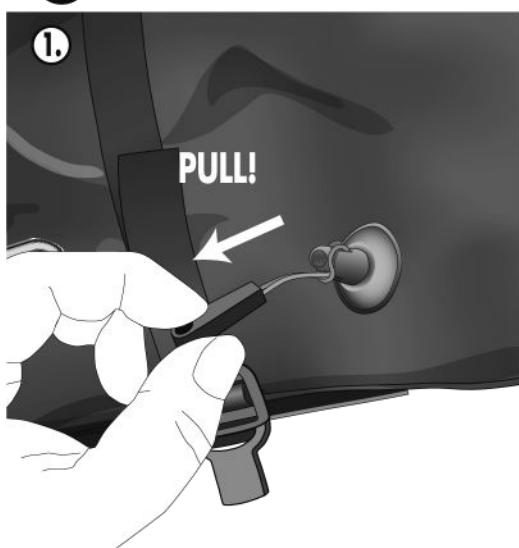
MAX. LOAD 4 KG



MAX. LOAD 5 KG



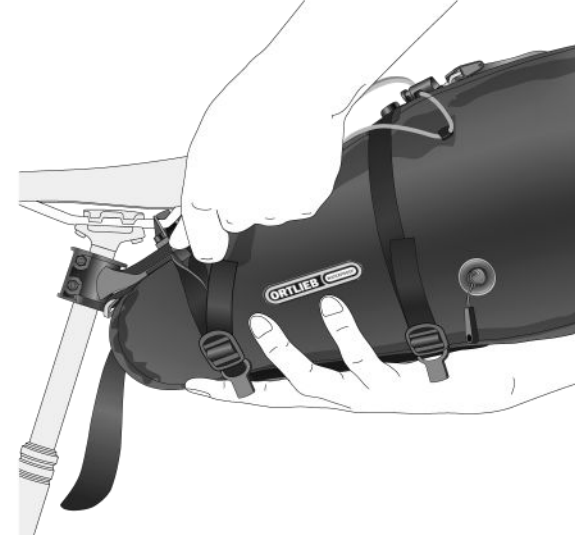
3.0



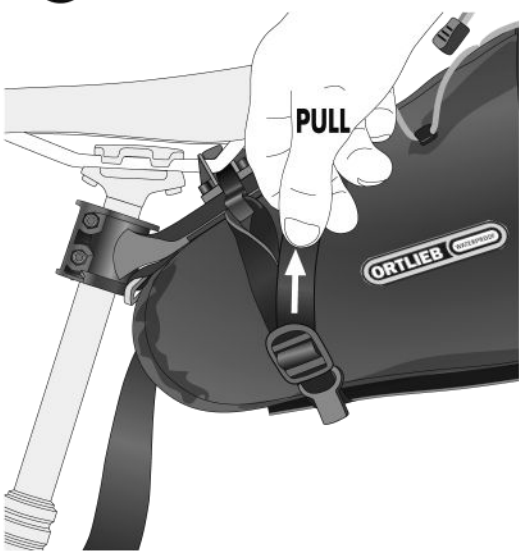
4.0



5.1



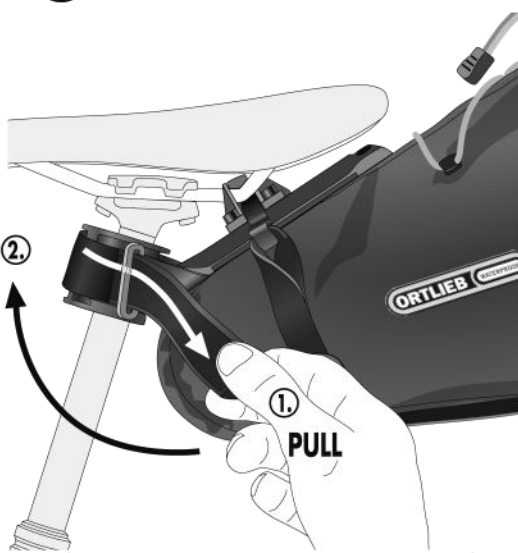
5.2 TIGHTEN COMPRESSION STRAPS



5.3



5.4



5.5 FOR STANDARD SEATPOST

